

### SIENNA® AM1

### Actuator for On / Off Switching

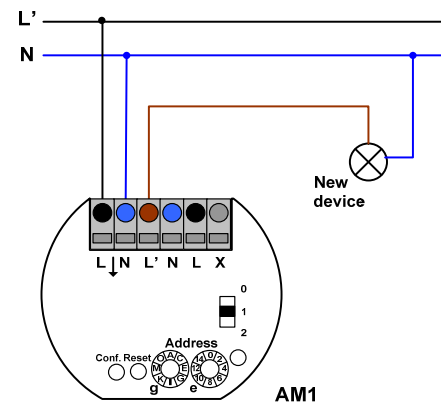
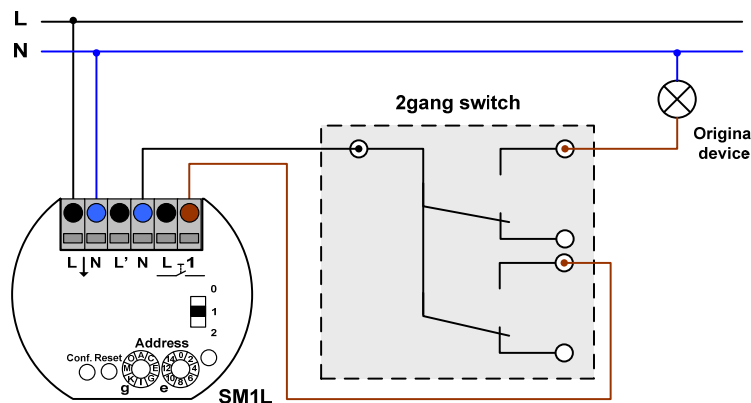
The **SIENNA®** elements form a bus system consisting of sensors and actors which use the in-house powerlines as a communication bus.

The **SIENNA® AM1** actuator can either be directly attached to an electrical device or flush-mounted behind a power outlet. This provides enormous flexibility since home owners can now use any existing light switch to control a floor lamp without having to rewire anything. The **SIENNA® AM1** actuator has one relay-switched output for electrical devices with current ratings up to 10A.

The **SIENNA® AM1** actuator is commonly used in combination with the sensor **SM1L**.



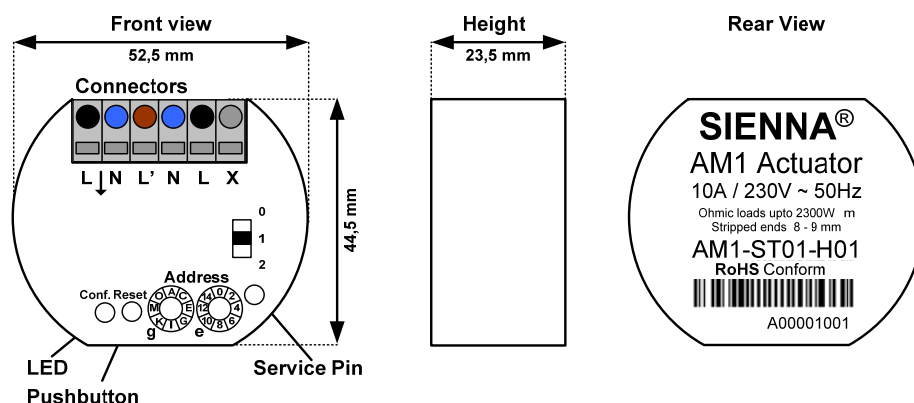
### Wiring plan: Controlling an additional device



### Technical Data:

- Technology:** ..... Powerline communication in the B/C-Band (5kb/s) compliant with FCC, CENELEC EN50065-1 and LONWORKS® protocol.
- Power:** ..... 230V~/50Hz, Power consumption 0.5W..1.5W via the L, N connectors.
- Interface:** ..... One PLC interface via the L, N connectors as defined by the LONWORKS® protocol.
- Output:** ..... ⚡, N connected to electrical device; One single-pole relay rated at 10A to switch L'.
- Processor:**..... Neuron processor integrated in the Powerline Smart Transceiver PL 3120.
- Connectors:** ..... 2 x 0,08 - 1.5mm<sup>2</sup> (L, N) combined as voltage feed and PLC interface.  
2 x 0,08 - 1.5mm<sup>2</sup> (⚡, N) for connecting to the electrical device.
- Operating Temperature:**..... -25°C to +70°C
- Safety Compliance:** ..... CE, EN60669, EN50065-1

### Dimension Drawing:



**Product name: AM1-ST01-H01**  
**EAN number: 4260194730008**