

SIENNA® AM1A Actuator for 3-way switching

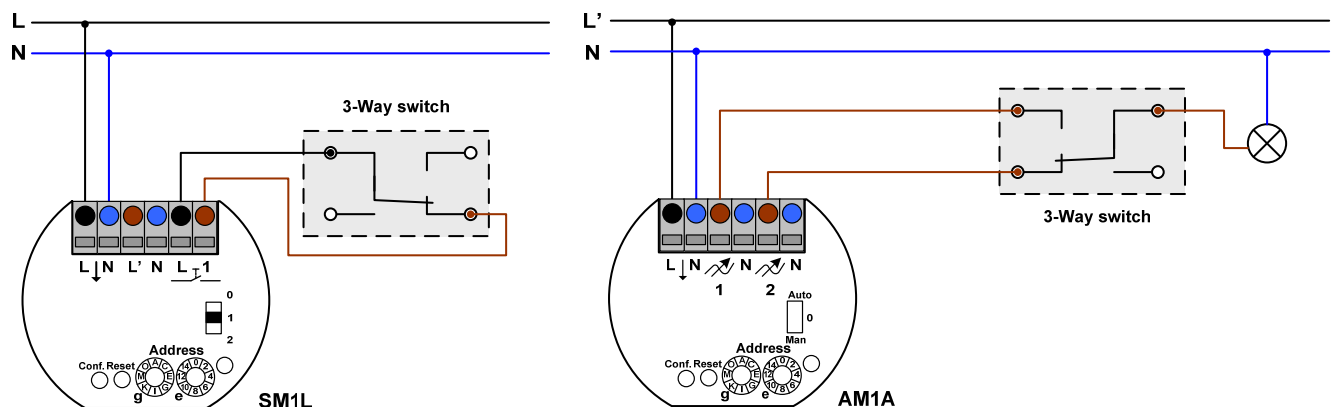
The **SIENNA®** elements form a bus system consisting of sensors and actors which use the in-house powerlines as a communication bus.

The **SIENNA® AM1A** actuator can either be directly attached to an electrical device or flush-mounted behind a power outlet and provides 3-way switching. The **SIENNA® AM1A** actuator has two outputs with oppositely switched relays for electrical devices with current ratings up to 5A.

The **SIENNA® AM1A** actuator is commonly used with the sensors **SM1L** or **SM1**.



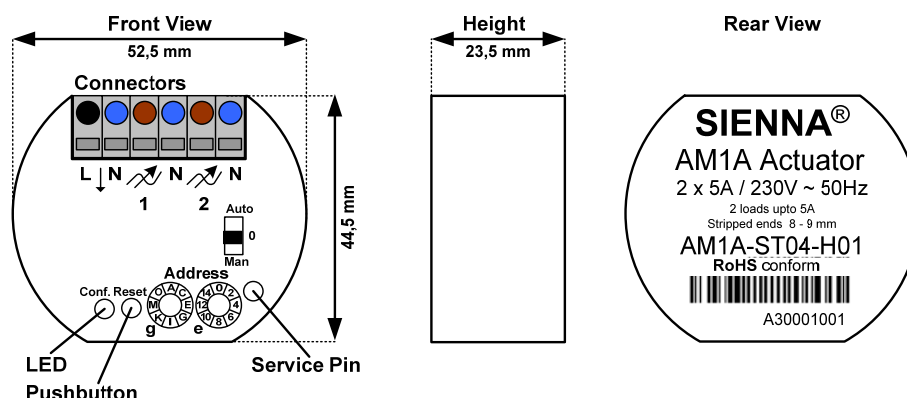
Wiring plan: 3-way switching



Technical Data:

- Technology:**..... Powerline communication in the B/C-Band (5kb/s) compliant with FCC, CENELEC EN50065-1 and LONWORKS® protocol.
- Power:**..... 230V~/50Hz, Power consumption 0.5W..1.5W via the L, N connectors.
- Interface:**..... One PLC interface via the L, N connectors as defined by the LONWORKS® protocol.
- Output:**..... L1 and L2 are oppositely switched outputs up to 5A. There is one single-pole relay on each output.
- Processor:**..... Neuron processor integrated in the Powerline Smart Transceiver PL 3120.
- Connectors:**..... 2 x 0,08 - 1.5mm² (L, N) combined as voltage feed and PLC interface.
4 x 0,08 - 1.5mm² (L1, N) and (L2, N) connecting to electrical devices up to 5A.
- Operating Temperature:**..... -25°C to +70°C
- Safety Compliance:**..... CE, EN60669, EN50065-1

Dimension Drawing:



Product name: AM1A-ST04-H01
EAN number: 4260194730015