

SIENNA® AMD10V Dim-Actuator with 1-10V Interface

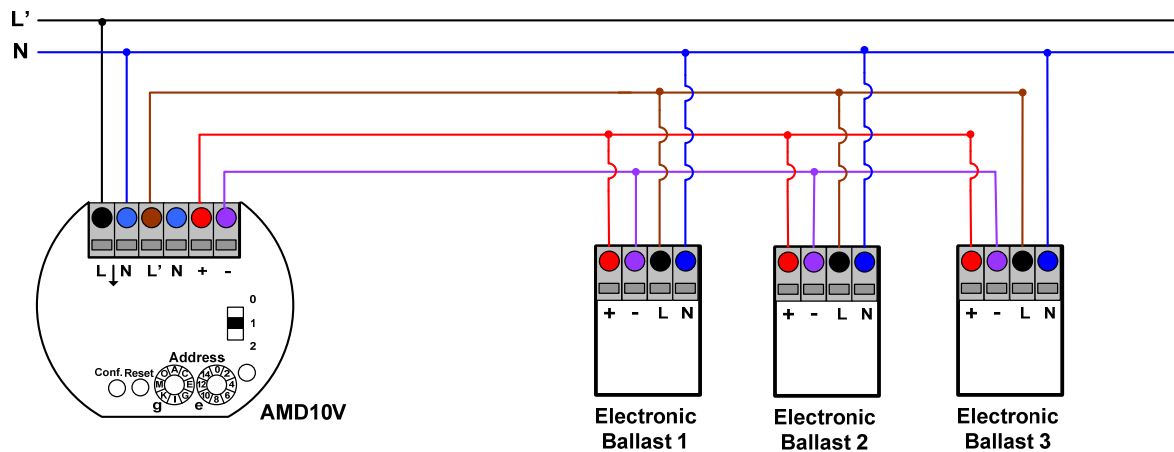
The **SIENNA®** elements form a bus system consisting of sensors and actors which use the in-house powerlines as a communication bus.

The **SIENNA® AMD10V** actuator can be used with electronic ballasts or other devices with a 1-10V interface to switch and / or dim these devices. The **SIENNA® AMD10V** actuator has a current sink of max. 50 mA and can switch up to 6 electronic ballasts connected in parallel.

The **SIENNA® AMD10V** actuator is commonly used in combination with the sensor **SM1L**.



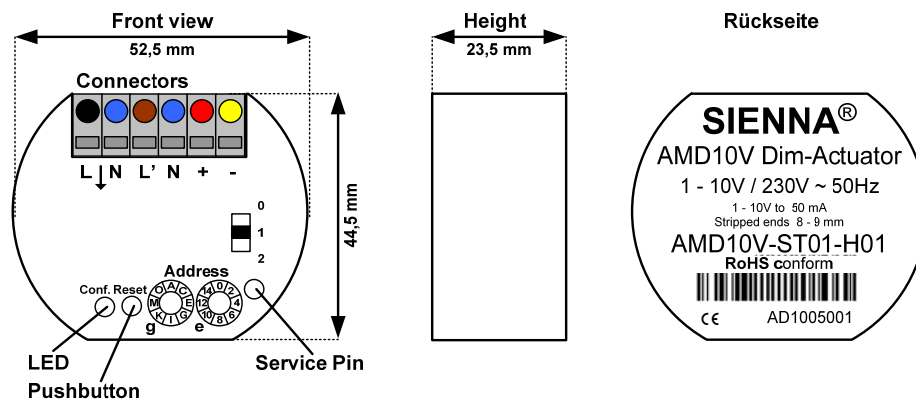
Wiring plan: Dimming electronic ballasts



Technical Data:

- Technology:** Powerline communication in the B/C-Band (5kb/s) compliant with FCC, CENELEC EN50065-1 and LONWORKS® protocol.
- Power:** 230V~/50Hz, Power consumption 0.5W..1.5W via the L, N connectors.
- Interface:** One PLC interface via the L, N connectors as defined by the LONWORKS® protocol.
- Output:** L', N connected to electrical device; max. 6 electronic ballasts can be connected in parallel.
+ , - as 1.10V output up to max. 50mA
- Processor:** Neuron processor integrated in the Powerline Smart Transceiver PL 3120.
- Connectors:** 2 x 0,08 - 1.5mm² (L, N) combined as voltage feed and PLC interface.
2 x 0,08 - 1.5mm² (L', N) as switched output to the device.
2 x 0,08 - 1.5mm² (+, -) as 1-10V current sink up to max. 50 mA.
- Operating Temperature:** -25°C to +70°C
- Safety Compliance:** CE, EN60669, EN50065-1

Dimension Drawing:



Product name: AMD10V-ST01-H01
EAN number: 4260194730091