

### SIENNA® SAM2L 2-Channel Sensor+Actuator

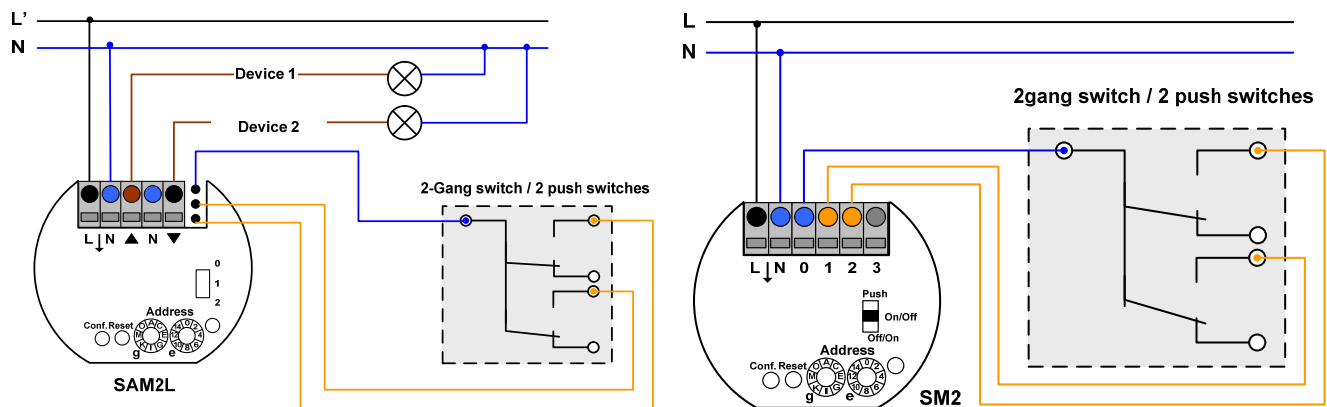
The **SIENNA®** elements form a bus system consisting of sensors and actuators which use the in-house powerlines as a communication bus.

The **SIENNA® SAM2L** module can either be directly attached to a device or flush-mounted behind a switch. It has two relay-switched outputs for switching 2 separate devices with current ratings up to 5A. The 2 inputs via flexible wires can be directly connected to a 2-gang switch.

The **SIENNA® SAM2L** module is commonly used with the **SM2** sensor or 2 **SM1** / **SM1L** sensors.



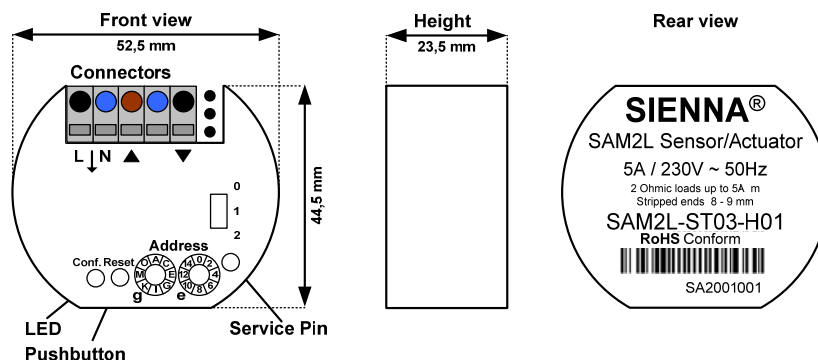
### Wiring plan: 2-channel actuator with on-site and remote control



### Technical Data:

- Technology:**.....Powerline communication in the B/C-Band (5kb/s) compliant with FCC, CENELEC EN50065-1 and LONWORKS® protocol.
- Power:** .....230V~/50Hz, power consumption 0.5W..1.5W via the L, N connectors incl. powerline interface.
- Input:** .....Two digital inputs via flexible wires for connecting to a multiple-gang switch. The inputs 1 and 2 are associated with outputs 1 and 2 respectively.
- Output:** .....▲, ▼ to the devices 1 and 2; N is bridged to the neutral of the power supply.
- Processor:** .....Neuron processor integrated in the Powerline Smart Transceiver PL 3120.
- Connectors:** .....2 x 0,08 - 1.5mm<sup>2</sup> (L, N) combined as voltage feed and PLC interface.  
3 x 0,08 - 1.5mm<sup>2</sup> (▲, N, ▼) for connecting the devices 1 and 2.
- Operating Temperature:** .....-25°C to +70°C
- Safety Compliance:** .....CE, EN60669, EN50065-1

### Dimension Drawing:



Product name: **SAM2L-ST03-H01**  
EAN number: **4260194734051**