

SIENNA® SM1L+R Sensor with one 230V input and actuator status display

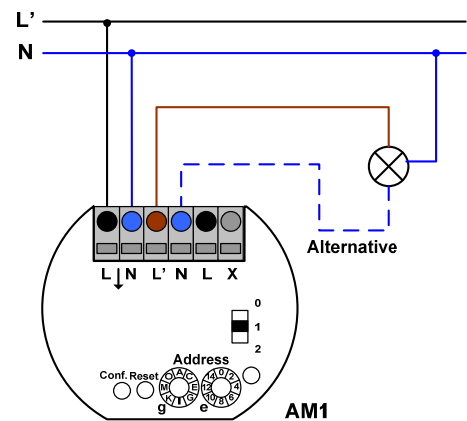
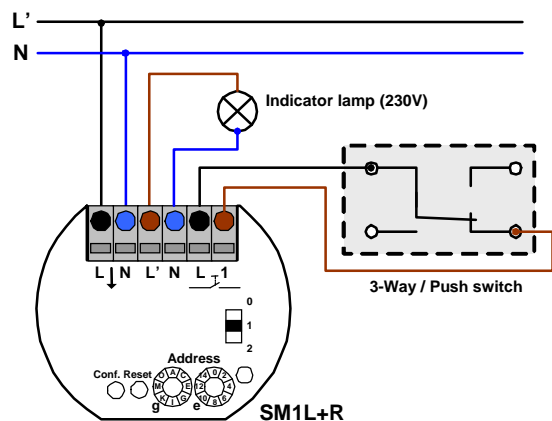
The SIENNA® elements form a bus system consisting of sensors and actors which use the in-house powerlines as a communication bus.

The SIENNA® SM1L+R sensor has one input like SM1L; it can be connected to a light switch (push switch = 0, On/Off = 1, 3-way = 2) or other switching elements (e.g. motion detector, thermostat etc.). One switched 230V output (max. 1A) indicates the status of the corresponding actuator.

The SIENNA® SM1L+R sensor is commonly used in combination with an AM1 actuator.



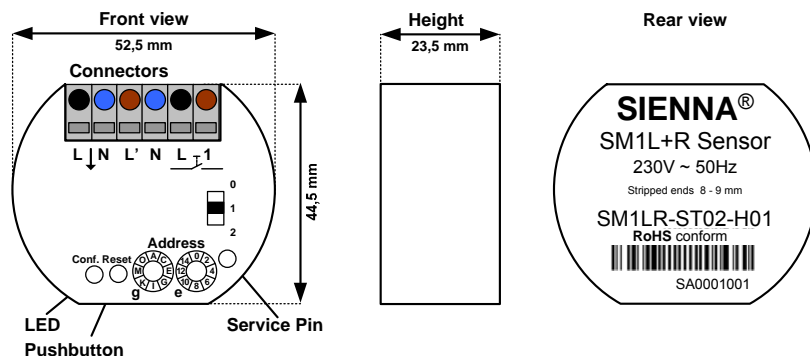
Wiring plan: Displaying actuator status via sensor



Technical Data:

- Technology:** Powerline communication in the B/C-Band (5kb/s) compliant with FCC, CENELEC EN50065-1 and LONWORKS® protocol.
- Power:** 230V~/50Hz, Power consumption 0.5W..1.5W via the L, N connectors.
- Input:** One digital 230V input (L, 1) for connecting to On/Off, 3-way or push switch, a relay or to motion detectors. 230V~/50Hz input can also be used for illuminated switches.
- Output:** Switched 230V output (L', N) indicating the actuator status (feedback).
- Processor:**..... Neuron processor integrated in the Powerline Smart Transceiver PL 3120.
- Connectors:** 2 x 0,08 - 1.5mm² (L, N) combined as voltage feed and PLC interface.
2 x 0,08 - 1.5mm² (L, 1) for input to a light switch, a relay or a motion detector.
2 x 0,08 - 1.5mm² (L', N) output indicating the actuator status.
- Operating Temperature:**..... -25°C to +70°C
- Safety Compliance:** CE, EN60669, EN50065-1

Dimension Drawing:



Product name: SM1LR-ST02-H01
EAN number: 4260194732095