

## SIENNA® SM2G

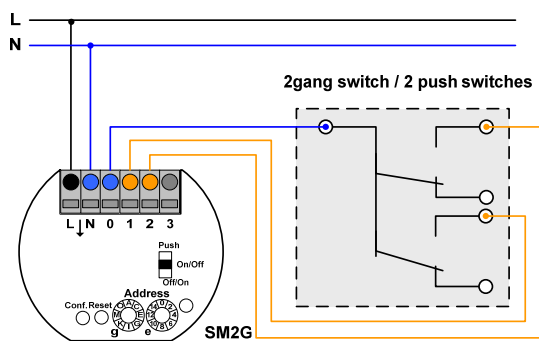
## 2-Channel Sensor

The **SIENNA®** elements form a bus system consisting of sensors and actors which use the in-house powerlines as a communication bus.

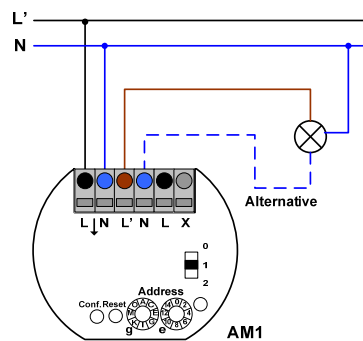
The **SIENNA®** sensors can be combined with all commercially available flush-mounted switches and bring intelligence to any standard electrical installation. The **SIENNA® SM2G** sensor has two digital inputs which can be connected to a 2-gang switch or two separate switches.



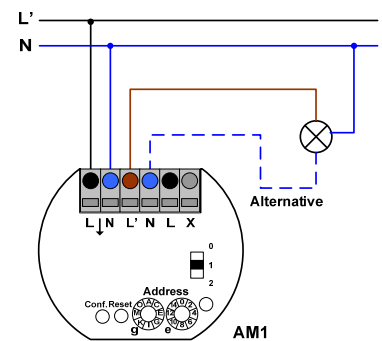
### Wiring plan: Controlling two separate groups



Allocated address: g, e



Allocated address: g, e

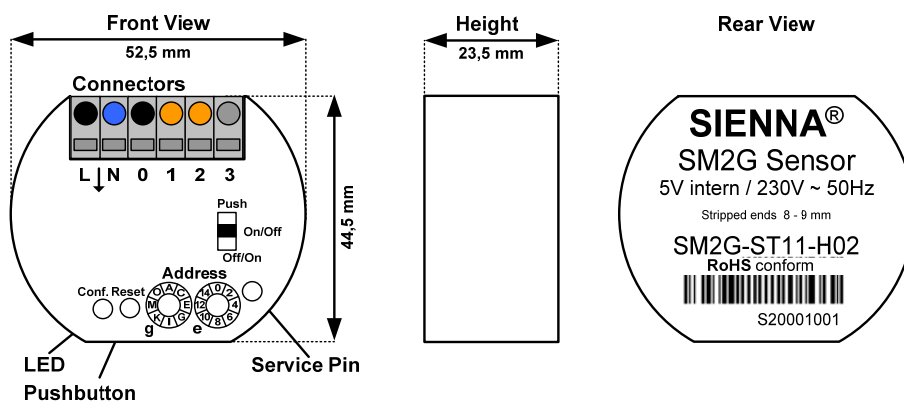


Allocated address: g +1, e

### Technical Data:

- Technology:** ..... Powerline communication in the B/C-Band (5kb/s) compliant with FCC, CENELEC EN50065-1 and LONWORKS® protocol.
- Power:** ..... 230V~/50Hz, Power consumption 0.5W..1.5W via the L, N connectors.
- Interface:** ..... One PLC interface via the L, N connectors as defined by the LONWORKS® protocol.
- Input:** ..... Two digital inputs (0, 1, 2) for connecting to a 2-gang switch or 2 switches. Internal 5V potential allows for 0,08mm<sup>2</sup> cables. Max. cable length to switch: 10m.
- Processor:**..... Neuron processor integrated in the Powerline Smart Transceiver PL 3120.
- Connectors:** ..... 2 x 0,08 - 1.5mm<sup>2</sup> (L, N) combined as voltage feed and PLC interface.  
3 x 0,08 - 1.5mm<sup>2</sup> (0,1, 2) internal 5V potential for a multiple-gang switch.
- Operating Temperature:**..... -25°C to +70°C
- Safety Compliance:** ..... CE, EN60669, EN50065-1

### Dimension Drawing:



**Product name: SM2G-ST11-H02**  
**EAN number: 4260194732057**