

SIENNA® SM3

Sensor with 3 digital inputs

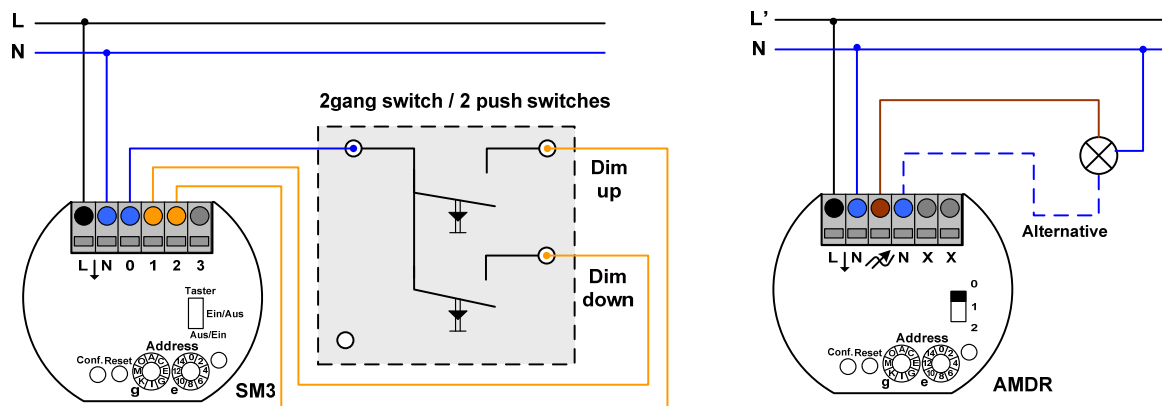
The **SIENNA®** elements form a bus system consisting of sensors and actors which use the in-house powerlines as a communication bus.

The **SIENNA®** sensors can be combined with all commercially available flush-mounted switches and bring intelligence to any standard electrical installation. The **SIENNA® SM3** sensor has three digital inputs which can be connected to a 2-gang or 3-gang switch (Blind, Shutter: Up, Down, Stop).

The **SIENNA® SM3** sensor is commonly used with an **AM2** actuator for motor control.



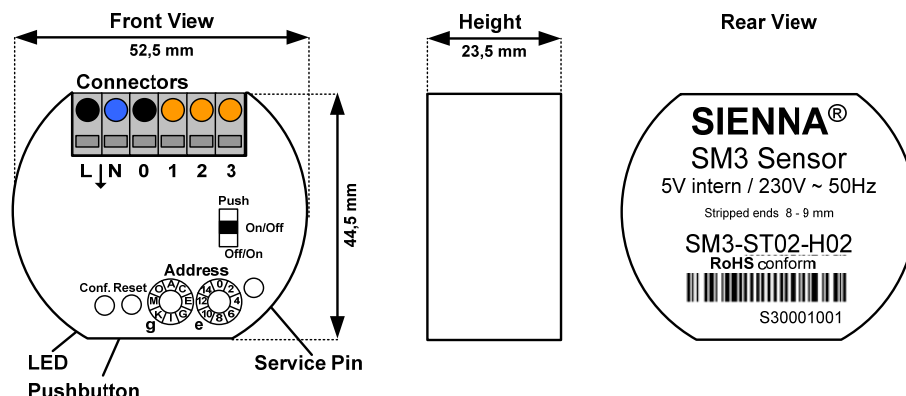
Wiring plan: Dimmer control



Technical Data:

- Technology:** Powerline communication in the B/C-Band (5kb/s) compliant with FCC, CENELEC EN50065-1 and LONWORKS® protocol.
- Power:** 230V~/50Hz, Power consumption 0.5W..1.5W via the L, N connectors.
- Interface:** One PLC interface via the L, N connectors as defined by the LONWORKS® protocol.
- Input:** Three digital inputs (0, 1, 2, 3) for connecting to a multiple-gang switch. 5V input allows for 0,08mm² cables. Max. cable length to switch: 10m.
- Processor:**..... Neuron processor integrated in the Powerline Smart Transceiver PL 3120.
- Connectors:** 2 x 0,08 - 1.5mm² (L, N) combined as voltage feed and PLC interface.
4 x 0,08 - 1.5mm² (0, 1, 2, 3) inputs for a multiple-gang switch.
- Operating Temperature:**..... -25°C to +70°C
- Safety Compliance:** CE, EN60669, EN50065-1

Dimension Drawing:



Product name: SM3-ST02-H02
EAN number: 4260194732064