

SIENNA® SAM1LT Instruction Manual

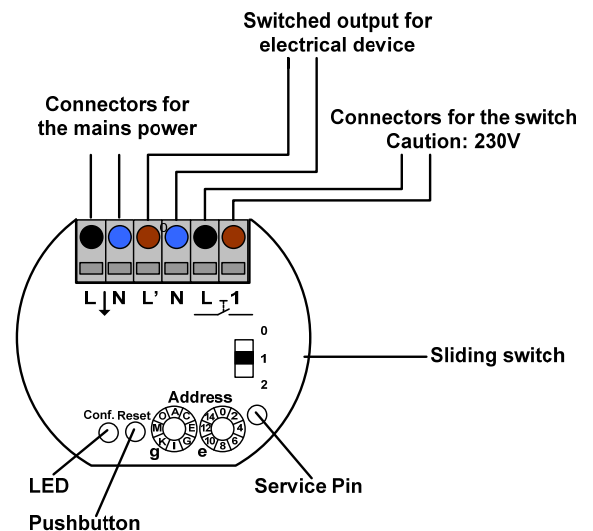
Combined Sensor / Actuator with timer

Connectors

All modules are connected to L and N of the power line (230V/50Hz) as shown in the figure.

The terminals L', N are connected to the electrical device or to the power outlet. The terminals L, 1 are connected to the switch or to the sensor as necessary. Please note that L carries 230V. This allows the module to be used with dual switches or illuminated switches.

The sliding switch is used to choose between push (0), 2-Way (1) or 3-Way (2) switches.



Address Assignment

The **SIENNA®** elements have two rotary switches for address assignment. Each switch has 16 valid positions.

- The first rotary switch sets the group address **g** with alphabetic values (A, B, ..., P).
- The element address **e** has an assigned value **15**. This value cannot be changed with the screwdriver since the rotary switch **e** is used to set the timer value. All corresponding **SIENNA®** elements must have the address **e = 15** (or **e = 0**).
- Arbitrarily many elements can have identical **g** and **e**.
- All elements with identical (**g**, **e**) switch simultaneously.

Timer Settings

Position e	0	1	2	3	4	5	6	7	8	9	10	11	12	13	14	15
Switch off after x min.	Never	1	2	3	5	8	10	12	15	20	25	30	45	60	90	120

List of configured devices and their addresses

Please enter all configured devices and their respective addresses in the following table and keep it in a safe place (e.g. Fuse box). This will simplify future extensions and/or changes in the device configurations.

	Module type / Serial no.	g	e	Room	Function
1					
2					
3					
4					
5					
6					
7					
8					
9					
10					

Installation

Initial installation

SIENNA® elements are delivered in an unconfigured state: The following procedure is required during the initial installation of **SIENNA®** elements in a home (= Domain):

- Disconnect the mains power.
- Use the rotary switches to assign addresses to all elements (addresses can be changed when the element is connected to power) und connect all the elements.
- For connection of the wires to the terminal blocks, remove 10mm of the insulation from the wire ends.
- Switch on the mains power:

LED blinks on all the unconfigured elements.

- Choose an arbitrary unconfigured sensor and change the switch position 10 times within a period of 5 seconds. This results in a new domain being generated. Please note that this sensor should have a switch connected to it.
- After a further 5 seconds all unconfigured elements will be integrated in the new domain and are fully functional:

LED stops blinking on the configured elements.

Extending an installation

The following procedure is required when extending the initial installation with additional **SIENNA®** elements.

- Disconnect the power.
- Use the rotary switches to assign addresses to the new elements (addresses can be changed when the element is connected to power) and connect the new elements.
- Switch on the mains power:

LED blinks on all the unconfigured elements.

- Choose any previously installed sensor that is configured / functional and change the switch position 10 times within a period of 5 seconds. This sensor then assigns its domain to the new elements:

LED stops blinking on the configured elements.

Resetting to factory default

Reset button: Sets all values to the factory default.

- Should be activated with a pointed device e.g. ballpoint pen. Reset button must remain activated for at least 5 seconds when the element is connected to power
- LED switches on and blinks after 5 seconds: Device values reset to factory default.

Important Note

The module is connected to the 230V power lines and the configuration switches should be touched only with insulated tools, e.g. an insulated screwdriver.

Product name: SAM1LT-ST03-H01
EAN number: 4260194734013