

## SIENNA® SM3G Instruction Manual

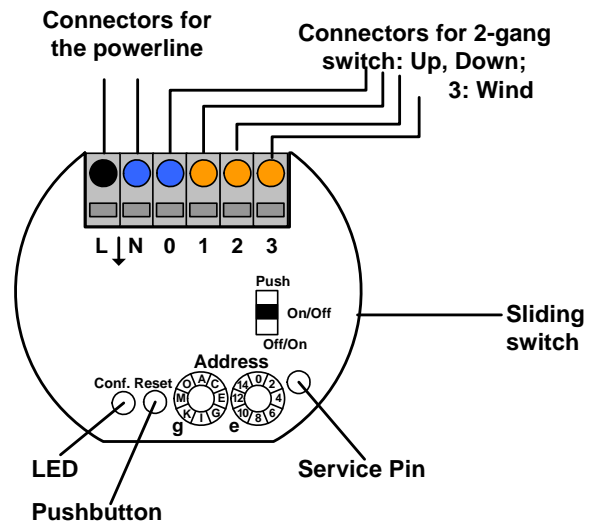
### Sensor for switching 2 separate groups

#### Connectors

All modules are connected to L and N of the power line (230V/50Hz) as shown in the figure.

The connectors to the switch have an internal 5V voltage. They are connected as follows:

- 0: common ground connection,
  - 1: Up,
  - 2: Down,
  - 3: According to operating mode (sliding switch).
- Off/On:** Go up and block as long as the input is closed (wind sensor).  
**Push, On/Off:** Stop-Function



SM3G switches actuators which have consecutive group addresses (e.g. g = C switches actuators in groups C & D). The second group is switched with a time delay of 1s.

#### Address Assignment

The SIENNA® elements have two rotary switches for address assignment. Each switch has 16 valid positions.

- The first rotary switch sets the group address **g** with alphabetic values (A, B, ..., P).
- The second rotary switch sets the element address **e** with numerical values (0, 1, ..., 15).
- Arbitrarily many elements can have identical **g** and **e**.
- All elements with identical (**g**, **e**) switch simultaneously.

Group address **g** defines a specific group:

- E.g. All sun blinds have the same **g** but different **e**.

Element address **e**:

- Sensors with **e = 0** control all actors with identical **g** regardless of **e**.
- **e = 0**: Master switch; E.g. Wind detector (**e = 0**) draws back all sun blinds with identical **g** and arbitrary **e**.

Address assignments can be changed either when the element has power or is disconnected from the powerline.

#### List of configured devices and their addresses

Please enter all configured devices and their respective addresses in the following table and keep it in a safe place (e.g. Fuse box). This will simplify future extensions and/or changes in the device configurations.

	Module type / Serial no.	g	e	Room	Function
1					
2					
3					
4					
5					
6					
7					
8					

## Installation

### Initial installation

**SIENNA®** elements are delivered in an unconfigured state: The following procedure is required during the initial installation of **SIENNA®** elements in a home (= Domain):

- Disconnect the mains power.
- Use the rotary switches to assign addresses to all elements (addresses can be changed when the element is connected to power) und connect all the elements.
- For connection of the wires to the terminal blocks, remove 10mm of the insulation from the wire ends.
- Switch on the mains power:

**LED blinks on all the unconfigured elements.**

- Choose an arbitrary unconfigured sensor and change the switch position 10 times within a period of 5 seconds. This results in a new domain being generated. Please note that this sensor should have a switch connected to it.
- After a further 5 seconds all unconfigured elements will be integrated in the new domain and are fully functional:

**LED stops blinking on the configured elements.**

### Extending an installation

The following procedure is required when extending the initial installation with additional **SIENNA®** elements.

- Disconnect the power.
- Use the rotary switches to assign addresses to the new elements (addresses can be changed when the element is connected to power) and connect the new elements.
- Switch on the mains power:

**LED blinks on all the unconfigured elements.**

- Choose any previously installed sensor that is configured / functional and change the switch position 10 times within a period of 5 seconds. This sensor then assigns its domain to the new elements:

**LED stops blinking on the configured elements.**

### Resetting to factory default

Reset button: Sets all values to the factory default.

- Should be activated with a pointed device e.g. ballpoint pen. Reset button must remain activated for at least 5 seconds when the element is connected to power
- LED switches on and blinks after 5 seconds: Device values reset to factory default.

### Important Note

The module is connected to the 230V power lines and the configuration switches should be touched only with insulated tools, e.g. an insulated screwdriver.

Product name: SM3G-ST09-H02  
EAN number: 4260194732071